

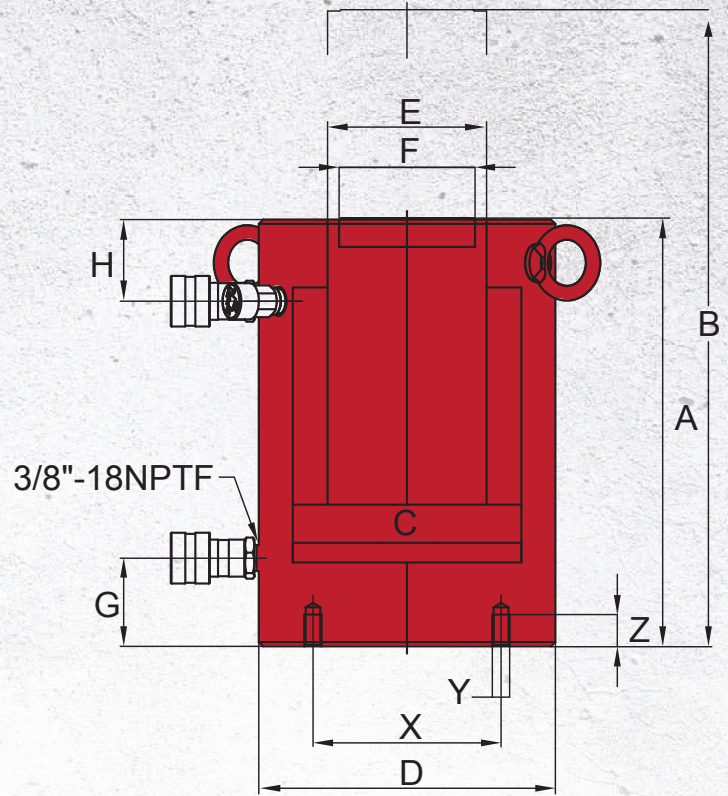
HIGH TONNAGE DOUBLE ACTING CYLINDERS (HDG Series)

- Cylinders are burnish rolled for a smooth precision mirror finish
- Industrial hard chrome plated rod prevents scratching and corrosion
- Base mounting holes standard on all models
- Rod wiper seals out dirt and contamination
- High strength steel construction from gun drilled solid bar
- High flow 3/8" NPTF couplers
- Maximum working pressure: 10,000 psi / 700 bar



**High-Flow Coupler:CH38F
Included on all models**

Cylinder Capacity (tons)	Stroke (in)	Model Number	Maximum Cylinder Capacity		Cylinder Effective Area		Oil Capacity		Weight (lbs)
			Push (ton)	Pull (ton)	Push (in ²)	Pull (in ²)	Push (in ³)	Pull (in ³)	
100	1.97	HDG10002	102.86	47.93	20.57	9.59	40.50	18.87	61.0
	3.94	HDG10004	102.86	47.93	20.57	9.59	81.00	37.74	74.1
	5.91	HDG10006	102.86	47.93	20.57	9.59	121.50	56.61	87.3
	7.87	HDG10008	102.86	47.93	20.57	9.59	161.99	75.49	100.4
	9.84	HDG10010	102.86	47.93	20.57	9.59	202.49	94.36	113.6
	11.81	HDG10012	102.86	47.93	20.57	9.59	242.99	113.23	126.7
150	1.97	HDG15002	152.11	78.49	30.43	15.70	59.89	30.90	102.4
	3.94	HDG15004	152.11	78.49	30.43	15.70	119.78	61.79	122.0
	5.91	HDG15006	153.90	75.00	30.78	14.96	181.75	88.32	141.8
	7.87	HDG15008	152.11	78.49	30.43	15.70	239.57	123.59	161.6
	9.84	HDG15010	152.11	78.49	30.43	15.70	299.46	154.48	181.4
	11.81	HDG15012	152.11	78.49	30.43	15.70	359.35	185.38	201.7
200	1.97	HDG20002	204.92	94.02	40.99	18.80	80.68	37.01	121.0
	5.91	HDG20006	206.10	98.00	41.22	19.68	243.40	116.23	201.0
	7.87	HDG20008	204.92	94.02	40.99	18.80	322.73	148.03	242.0
	11.81	HDG20012	206.10	98.00	41.22	19.68	486.79	232.46	322
300	5.91	HDG30006	353.60	117.00	70.71	23.46	417.56	138.55	511
400	11.81	HDG40012	433.90	150.00	86.79	29.99	1025.00	354.18	928
500	5.91	HDG50006	566.30	192.00	113.25	38.37	668.77	226.61	1,058



Model Number	Collapsed Height A (in)	Extended Height B (in)	Cylinder Bore Dia. C (in)	Outside Dia. D (in)	Rod Dia. E (in)	Saddle Dia. F (in)	Base to Adv. Port G (in)	Top to Return Port H (in)	Base Mounting Hole		
									Bolt Circle X (in)	Thread Y (mm)	Thread Depth Z (in)
HDG10002	7.17	9.13	5.12	6.50	3.74	2.95	2.13	1.89	3.74	M12	0.87
HDG10004	9.13	13.07	5.12	6.50	3.74	2.95	2.13	1.89	3.74	M12	0.87
HDG10006	11.10	17.01	5.12	6.50	3.74	2.95	2.13	1.89	3.74	M12	0.87
HDG10008	13.07	20.94	5.12	6.50	3.74	2.95	2.13	1.89	3.74	M12	0.87
HDG10010	15.04	24.88	5.12	6.50	3.74	2.95	2.13	1.89	3.74	M12	0.87
HDG10012	17.01	28.82	5.12	6.50	3.74	2.95	2.13	1.89	3.74	M12	0.87
HDG15002	7.72	9.69	6.22	8.07	4.33	3.70	2.40	2.22	5.12	M12	0.87
HDG15004	9.69	13.62	6.22	8.07	4.33	3.70	2.40	2.22	5.12	M12	0.87
HDG15006	11.65	17.56	6.22	8.07	4.33	3.70	2.40	2.22	5.12	M12	0.87
HDG15008	13.62	21.50	6.22	8.07	4.33	3.70	2.40	2.22	5.12	M12	0.87
HDG15010	15.59	25.43	6.22	8.07	4.33	3.70	2.40	2.22	5.12	M12	0.87
HDG15012	17.56	29.37	6.22	8.07	4.33	3.70	2.40	2.22	5.12	M12	0.87
HDG20002	8.50	10.47	7.22	9.25	5.31	4.45	2.62	2.22	6.50	M12	0.87
HDG20006	12.44	18.35	7.24	9.25	5.31	4.45	2.62	2.22	6.50	M12	0.87
HDG20008	14.41	22.28	7.22	9.25	5.31	4.45	2.62	2.22	6.50	M12	0.87
HDG20012	18.35	30.16	7.24	9.25	5.31	4.45	2.62	2.22	6.50	M12	0.87
HDG30006	16.22	22.13	9.49	12.20	7.76	6.97	3.98	2.95	7.09	M16	1.42
HDG40012	24.59	36.40	10.51	13.78	8.50	7.72	4.49	4.13	8.07	M16	1.42
HDG50006	20.43	26.34	12.01	15.75	9.76	8.98	4.49	5.31	9.84	M24	1.50